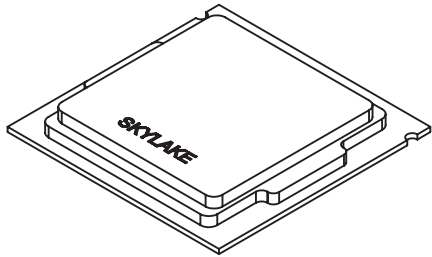


# Mounting Instructions Spacer for Intel Skylake CPUs

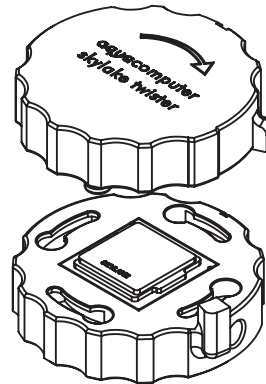
## Preparation

1



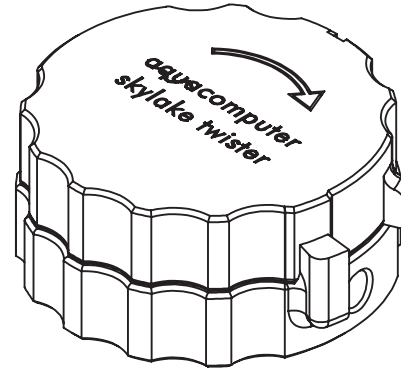
This spacer works only for Intel Skylake CPUs!

2

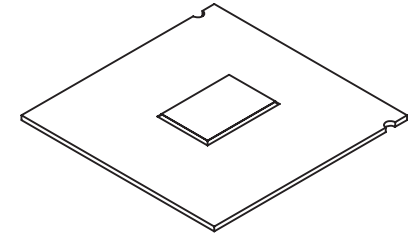


Use our Skylake twister or other delid tools to remove the heatspreader

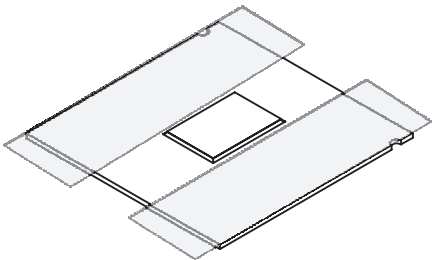
3



4

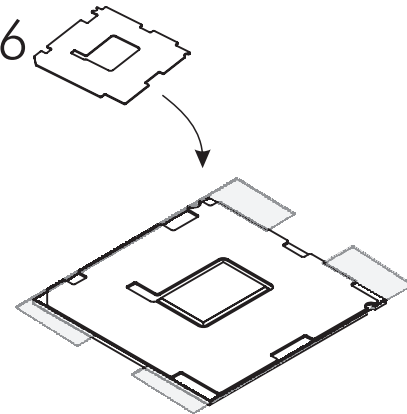


5

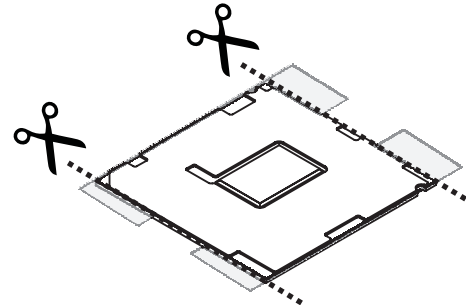


Use only the adhesive tape supplied with the spacer!

6



7



**!**

**3 mm**

Check if your CPU cooler works with the lower height of the delidded CPU!

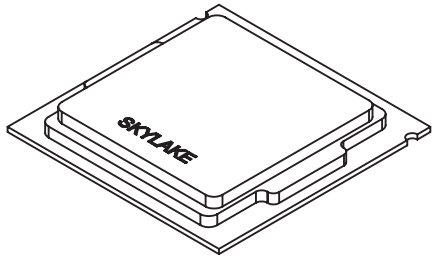
Check that your CPU cooler is not touching the socket after installation!

Ensure that only the CPU die is in contact with the cooler!

# Mounting Instructions Spacer for Intel Skylake CPUs

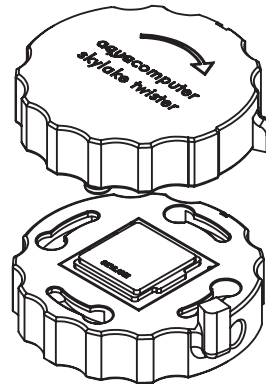
## Preparation

1



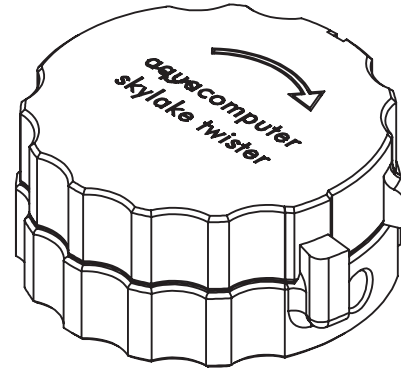
This spacer works only for Intel Skylake CPUs!

2

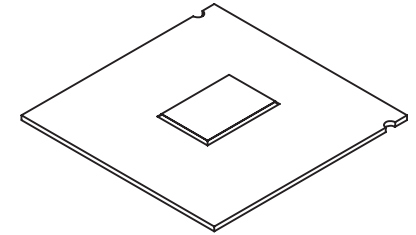


Use our Skylake twister or other delid tools to remove the heatspreader

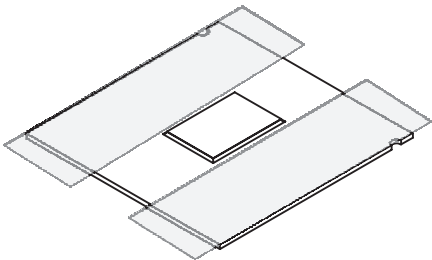
3



4

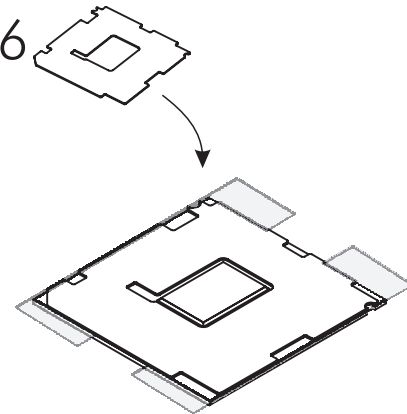


5

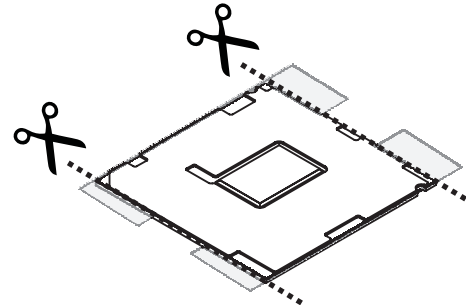


Use only the adhesive tape supplied with the spacer!

6



7



**!**

**3 mm**

Check if your CPU cooler works with the lower height of the delidded CPU!

Check that your CPU cooler is not touching the socket after installation!

Ensure that only the CPU die is in contact with the cooler!